

X3 Type

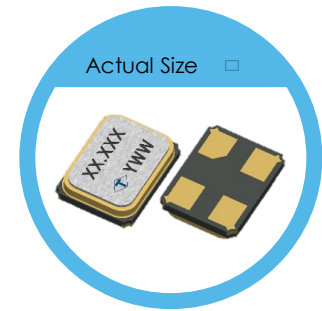
1.65 x 1.25 mm SMD Crystal

FEATURES

- Typical 1.65 x 1.25 x 0.3 mm ultra thin ceramic package
- 8 mm width Tape & Reel package for automatic assembly
- Tight tolerance 10 ppm available

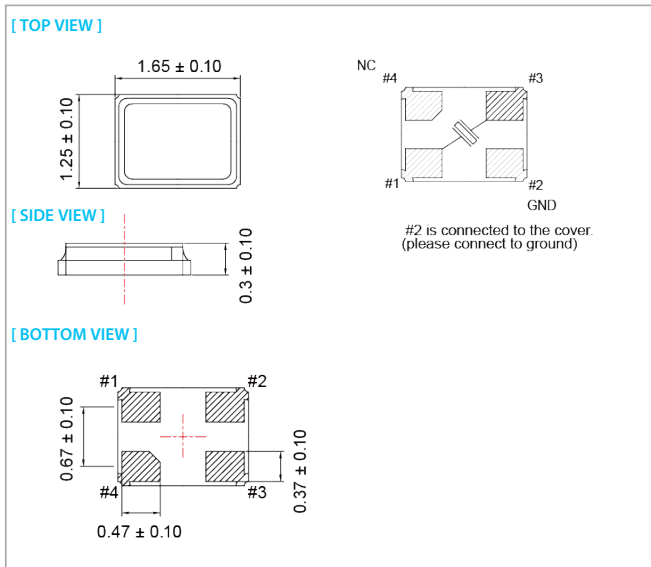
TYPICAL APPLICATION

- Bluetooth, Mobile phone, Wireless LAN
- Office Automation
- Audio & Video

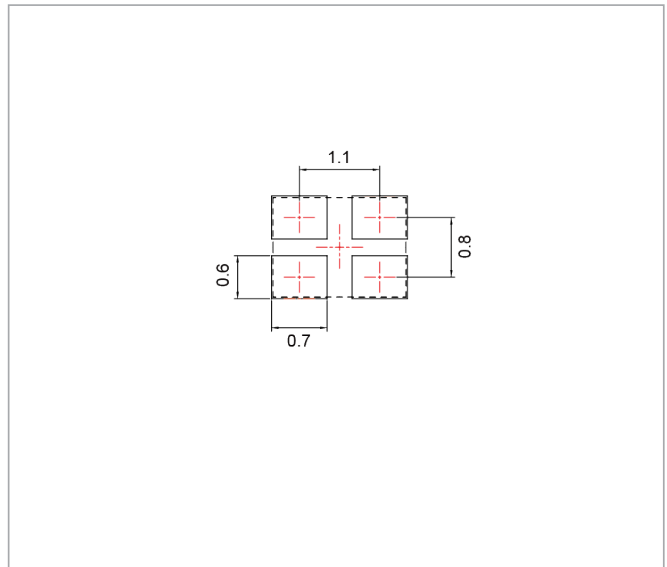


RoHS Compliant

DIMENSION (mm)



SOLDER PAD LAYOUT (mm)



ELECTRICAL SPECIFICATION

Parameter	Min.	Typical	Max.	Unit
Storage Temp. Range	-40	-	125	°C
Standard Frequency		26, 40		MHz
Level of Drive	-	10	200	μW
Shunt Capacitance (C0)	-	-	3.0	pF
Insulation Resistance	500M Ω @ DC100V	-	-	
Aging		±1.0 to ±3.0		ppm/year

Standard frequencies are frequencies which the crystal has been designed and does not imply a stock position.

EQUIVALENT SERIES RESISTANCE (E. S. R.)

Frequency Range	MODE	E.S.R.
24 MHz ≤ Fo ≤ 40 MHz	A1	<150 Ω
40 MHz < Fo ≤ 54 MHz	A1	<100 Ω

FREQ. STABILITY vs. TEMP. RANGE

Temp.(°C)	ppm					
	± 5	±10	±15	±20	±30	±50
-10 ~ +60	△	○	○	○	○	○
-20 ~ +70	X	△	○	○	○	○
-40 ~ +85	X	X	△	○	○	○
-40 ~ +105	X	X	△	○	○	○
-40 ~ +125	X	X	X	X	△	○

* ○: Available △: Conditional X: Not available

Note: not all combination of options are available. Other specifications may be available upon request.

Specifications subject to change without notice.