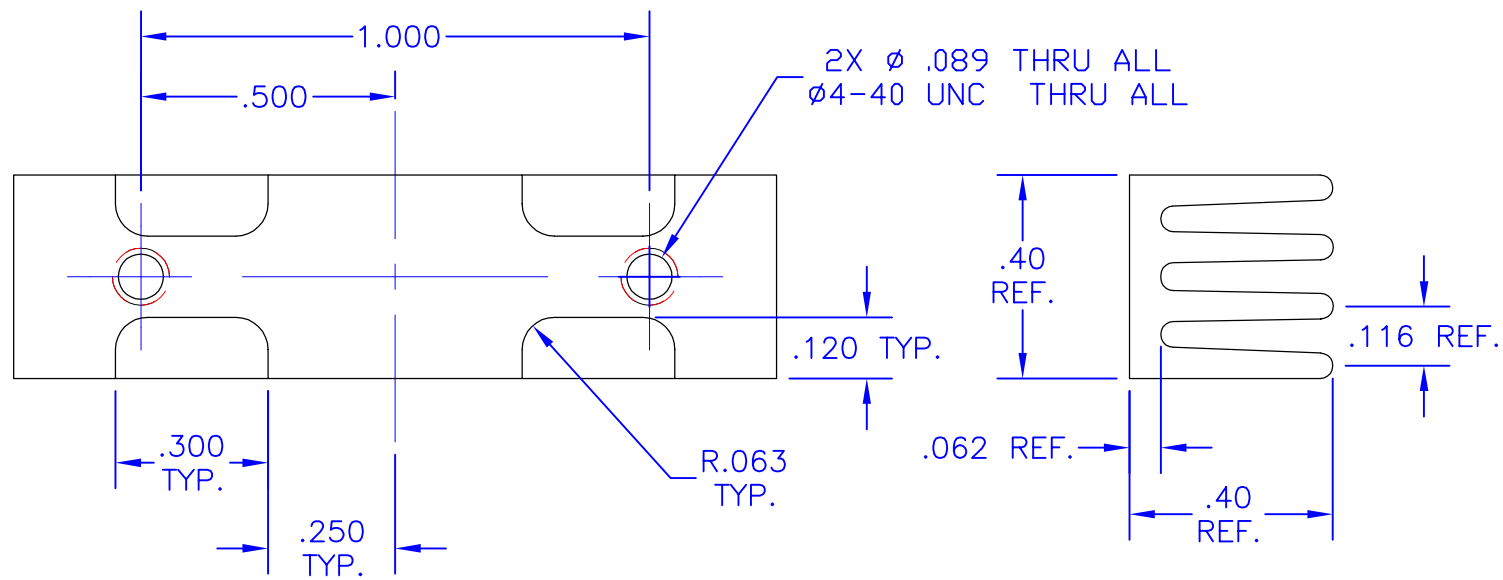
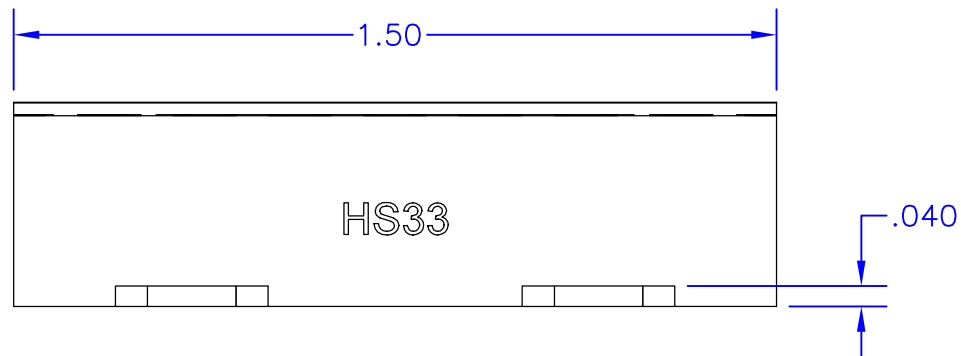
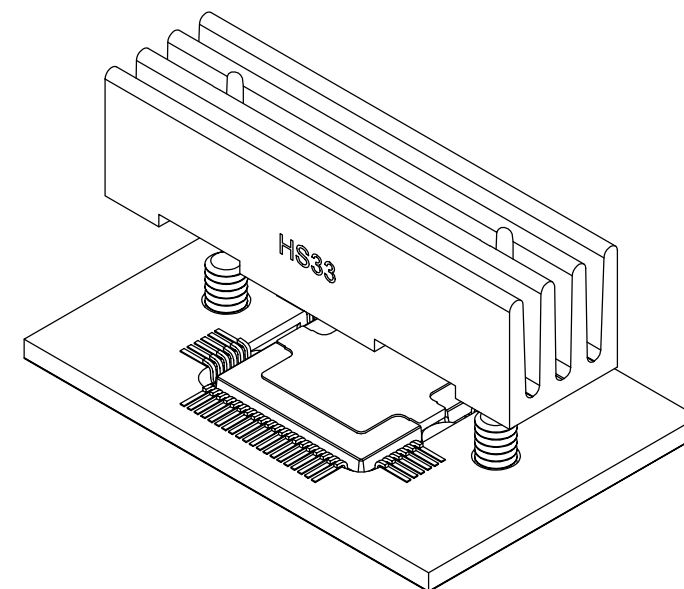
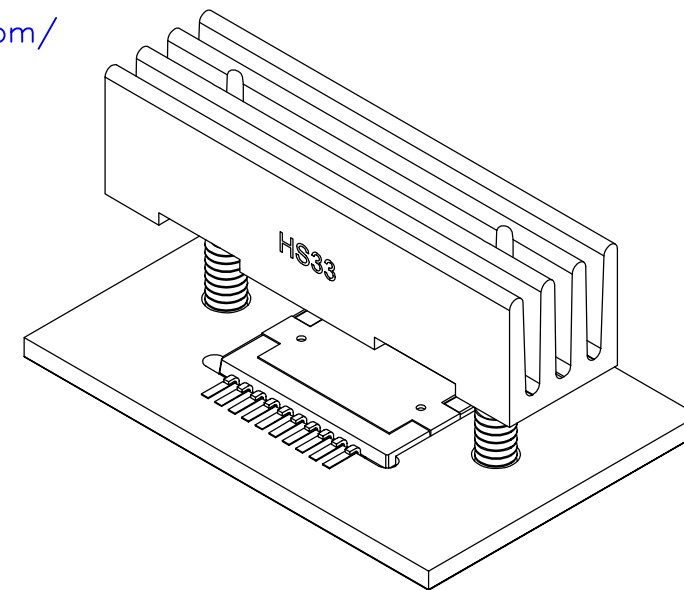


**Note: Natural Convection based on 70°C temp rise above ambient (and based on 1.5 in. length). Source: <<http://www.avid.com/products/extrusion-heatsinks/70920>>



INVERTED THROUGH CIRCUIT BOARD MOUNTING WITH HEAT SINK (Patent Pending)



NOTES:

1. Unless otherwise noted, all dimensions are in inches.
2. Break all sharp edges, de-burr & remove loose chips.
3. Material: 6063-T5 aluminum alloy. Make from Aavid extrusion 70920
4. Mark with contrasting ink as shown, if specified by P.O.
5. Approximate Weight: 0.22 oz [6.3g]
6. Thermal rating: 28.93°C/W **

TOLERANCES - UNLESS OTHERWISE SPECIFIED
 .XX = ±.01 [.254]
 .XXX = ±.005 [.127]
 ANG. = ±5°



TITLE: **DK & HQ PACKAGE HEATSINK**
 SUBJECT: **MECHANICAL DRAWING**
 ENGINEER: AOL DRAWN BY: J.FAY DCA: 14040 SH: 1 OF 1

MODEL: **HS33**
 FILENAME: HS33 REV: D DATE: 24MAR14