

CF-LA

High In-Rush Rocker Switches

UL **C-US UL** **ENEC**

Simple Dustproof

RoHS Compliant



Approvals

C-US UL, UL : E43275
ENEC:SE-ENEC-2200518

Features

1. High inrush 160 A max.
2. High capacity 16 A
3. Five types of terminal (Solder, Tab, PC Straight, R/A and L/A)
4. Simple dustproof structure (IP40 rating)
5. C-US UL, UL (TV-8) and ENEC approved products.

Specifications

Rating	Max.	16 A 125 VAC / 16 A 250 VAC (Resistive load)
	Min.	5 VAC/DC 10 mA
Initial contact resistance	20 mΩ max.	
Initial Dielectric strength	1500 VAC 1minute	
Initial insulation resistance	100 MΩ min.	
Operating force	1~8 N	
Electrical life	20,000 cycles	
Operating temperature range	-25~+85°C	
Storage temperature range	-40~+85°C	

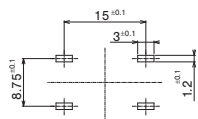
Part Numbering

CF-LA — **2** **K** **Z2** — **1** **C**

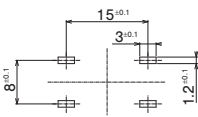
Series code Number of poles Switching function Terminal style Roker design Packaging spec

Fig.	Number of poles	Code	Switching function	Code	Terminal style	Fig.	Roker design	Fig.	Roker design	Code	Packaging spec
1	1 pole	A	ON — OFF	C	PC Straight	1	Unfigured	3	○	Blank	Plastic bags
2	2 poles	K	ON — OFF	C4	PC-R/A	2	●	5	— ○	C	Card board Tray
				C5	PC-L/A						
				L	Solder Terminal						
				Z2	TAB:#250						

PC Hole Layouts

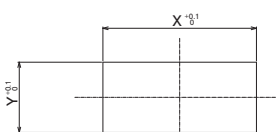


PC

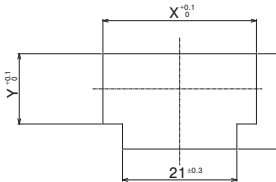


R/A, L/A

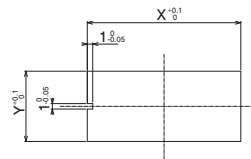
Panel Cut-Out Dimensions



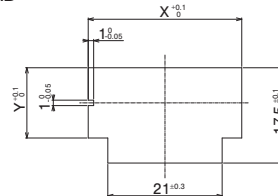
PC, TAB



R/A, L/A



R/A

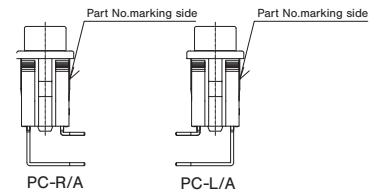


R/A

Panel thickness	X	Y
0.75~1.25	28.2	12.9
1.25以上~2	28.4	12.9
2~3	28.8	12.9

Terminal Styles

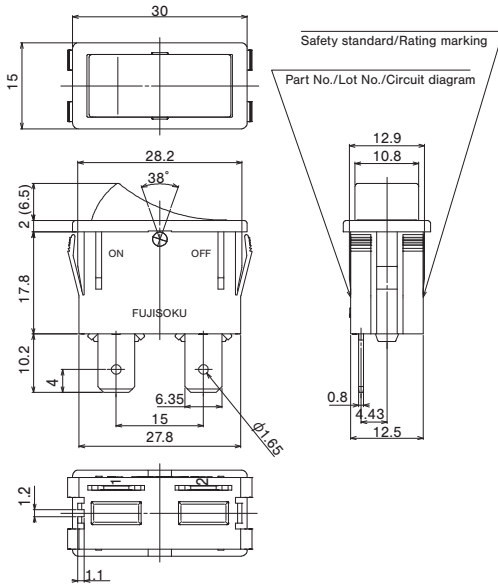
Solder Lug (Style:L)	T A B #250 (Style:Z2)	PC Straight (Style:C)	R/A (Style:C4) L/A (Style:C5)



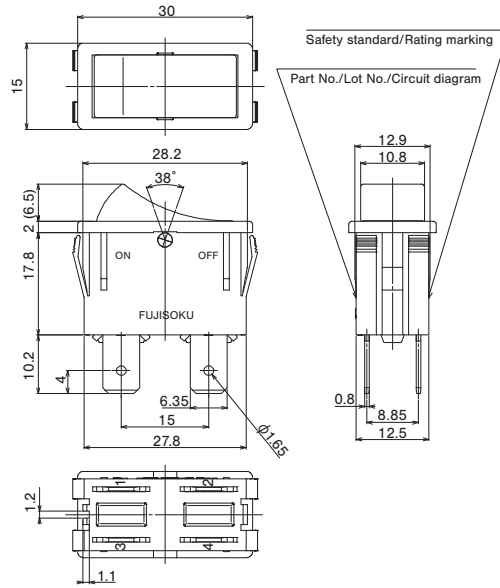
※For the L/A terminal, only two poles are available.

Outline dimensions

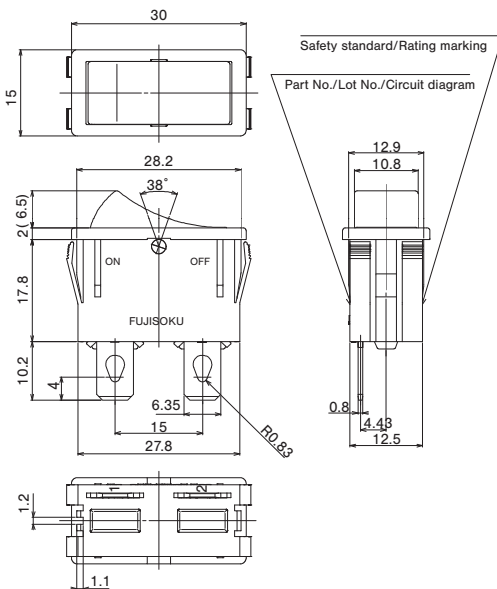
● Tab: # 250 1 Pole



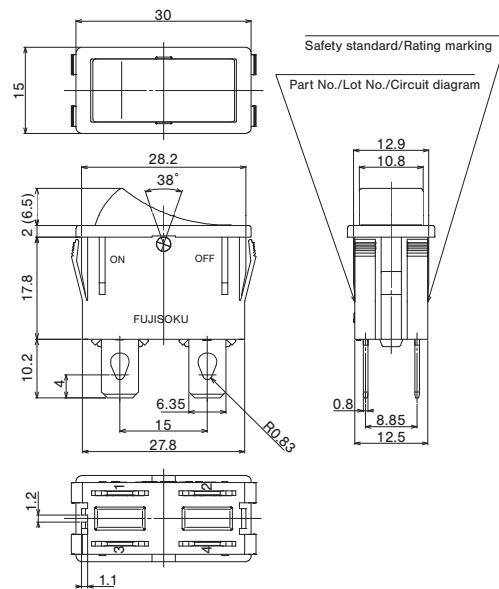
● Tab: # 250 2 Poles



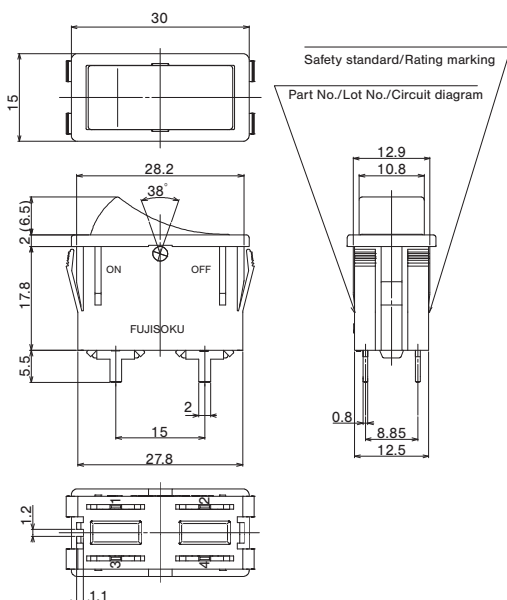
● Solder 1 Pole



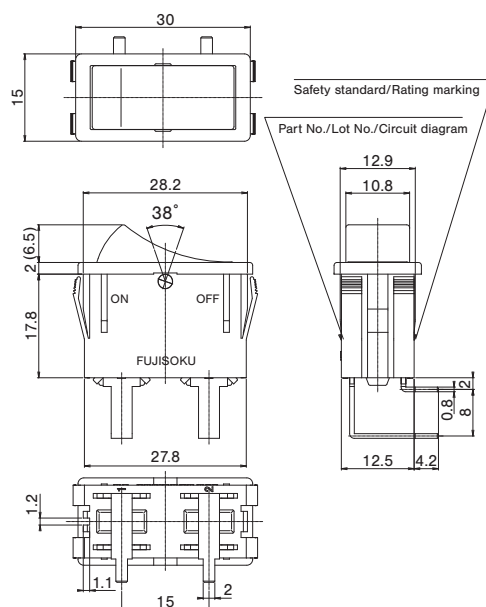
● Solder 2 Poles



● P/C 1 and 2 Poles



● PC-L/A 2 Poles



List part numbers

Number of poles	Switching function	Terminal style	Rocker design			Pieces in package	Packaging spec
			No marking	●	○		
1 Pole	ON-OFF	PC-R/A	—	—	CF-LA-1AC4-3C	100pcs./pack	Card board Tray
		Solder Terminal	CF-LA-1AL-1C	CF-LA-1AL-2C	—		
		Tab: # 250	CF-LA-1AZ2-1C	—	CF-LA-1AZ2-3C		
2 Poles	ON-OFF	PC Straight	—	—	CF-LA-2KC-3C		
		PC-L/A	—	—	CF-LA-2KC5-3C		
		Solder Terminal	CF-LA-2KL-1C	—	—		
		Tab: # 250	CF-LA-2KZ2-1C	—	CF-LA-2KZ2-3C		
1 Pole	ON-OFF	PC-R/A	—	—	CF-LA-1AC4-3	5pcs./pack	Plastic bags
		Solder Terminal	CF-LA-1AL-1	CF-LA-1AL-2	CF-LA-1AL-3		
		Tab: # 250	CF-LA-1AZ2-1	—	CF-LA-1AZ2-3		
2 Poles	ON-OFF	Tab: # 250	—	CF-LA-2KZ2-2	CF-LA-2KZ2-3		

Number of poles	Switching function	Terminal style	Rocker design		Pieces in package	Packaging spec
			—	○		
2 Poles	ON-OFF	Tab: # 250	CF-LA-2KZ2-5C		100pcs./pack	Card board Tray
2 Poles	ON-OFF	PC Straight	CF-LA-2KC-5		5pcs./pack	Plastic bags
		Tab: # 250	CF-LA-2KZ2-5			

Soldering Specifications

(1) Auto Soldering

Device : Jet wave type or dip type
260°C ; 5-6 seconds, Max.

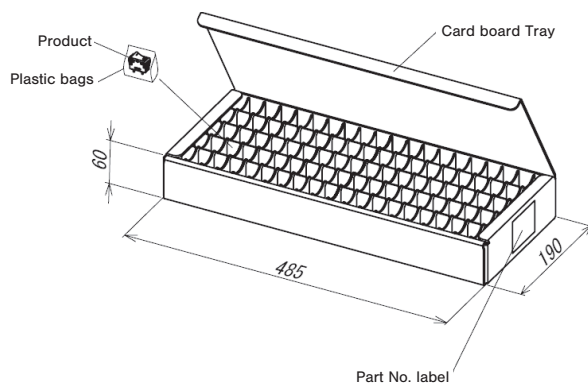
- Pre-heating should be done at temperatures ranging from 80°C to 150°C and within 2 or 3 minutes
The auto soldering is applicable to the PC terminals only.

(2) Manual Soldering

Device : Soldering iron
380°C, Max.; 3 seconds, Max.

Packing Specification

Card board Tray(100 pcs. / pack)



Plastic bags (5 pcs. / pack)

[Product packaging box]

