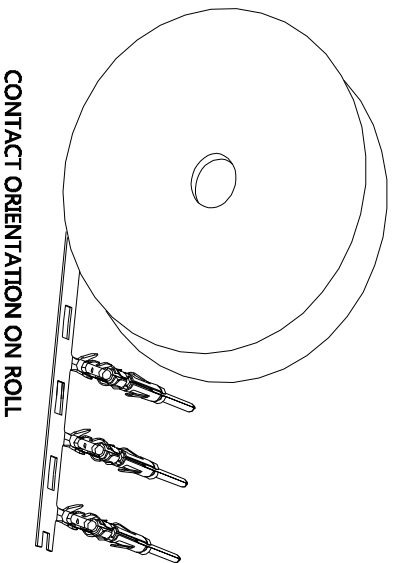


REVISIONS				
REV	ECO	DESCRIPTION	DATE	BY APPR
B1	-	RELEASED DRAWING	AUG-18-2014	BEN TOMMY

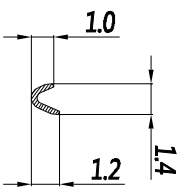


CONTACT ORIENTATION ON ROLL

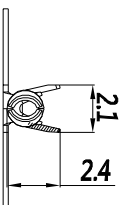
NOTES : (UNLESS OTHERWISE SPECIFIED)

1. MATERIAL :
 - 1.1. CONTACT BODY : COPPER ALLOY.
 - 1.2. OUTER SPRING : STAINLESS STEEL.
2. SPECIFICATIONS :
 - 2.1 CURRENT RATING : 5A MAX.
 - 2.2 TERMINATION TYPE : CRIMPING.
 - 2.3 WIRE RANGE : 30~28AWG.
 - 2.4 WIRE INSULATION DIA(MAX) : $\varnothing 2.6\text{mm}$.
3. ROHS COMPLIANT.
4. ALL DIMENSIONS ARE FOR REFERENCE USE ONLY.
5. AVAILABLE TOOLS :
 - 5.1 HAND CRIMPER : MFX-3954.
 - 5.2 CRIMP APPLICATOR : MFX-3957.
 - 5.3 EXTRACTION TOOL : QXRT20.

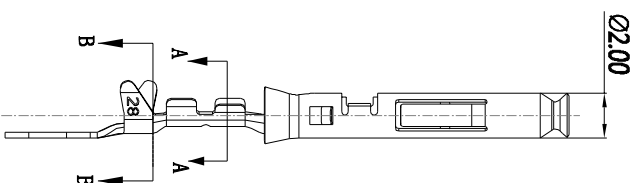
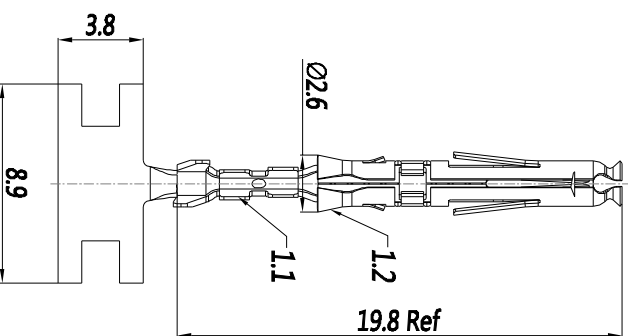
P/N	CONTACT PLATING(MATING AREA)
SS28W1T	TIN PLATING OVER NICKEL
SS28W1F	GOLD FLASH PLATING OVER NICKEL
SS28W1G5	5 μ GOLD PLATING OVER NICKEL
SS28W1G10	10 μ GOLD PLATING OVER NICKEL
SS28W1G15	15 μ GOLD PLATING OVER NICKEL
SS28W1G30	30 μ GOLD PLATING OVER NICKEL



SECTION A-A



SECTION B-B



QUANTITY	PART NUMBER	DESCRIPTION	ITER
MATERIALS LIST			

UNLESS OTHERWISE SPECIFIED 1) ALL DIMENSIONS ARE IN MILLIMETERS. 2) TOLERANCES ARE AS SHOWN: 1 PL, DEC 20, 20 2 PL, DEC 20, 20 3 PL, DEC 20, 20 3) Note reference =	SIGNATURES DRAWN: BEN CHECKED: ALG-17/04 ENGINEER: ANDREW ST APPROVAL:	DATE 11/27/04	ECO-MATE SOCKET, STAMPED, 30-28AWG, SIZE 20.
---	--	------------------	---

PROCESS SPECIFICATIONS: NEXT ASST:	MATERIAL SPECIFICATIONS: CUSTOMER:	THIS DRAWING IS SUPPLIED FOR SPECIFICATIONS AND PERFORMANCE DATA ONLY. THE INFORMATION CONTAINED HEREIN IS FOR INFORMATIONAL PURPOSES ONLY. ALL RIGHTS ARE RESERVED. ALL INFORMATION IS SUBJECT TO CHANGE WITHOUT NOTICE. ALL DIMENSIONS ARE IN MILLIMETERS UNLESS OTHERWISE SPECIFIED.	SIZE TYPE B C-	DWG NO. SS28W1XX	REVISION B1
---------------------------------------	---------------------------------------	---	-------------------	---------------------	----------------

Amphenol

Sine Systems - www.amphenol-sine.com
44724 Morley Drive
Clinton Township, MI 48038

ECO-MATE SOCKET,
STAMPED, 30-28AWG, SIZE 20.

SCALE: NONE	SHEET 1 OF 1
-------------	--------------

FILE:

ECO-MATE SOCKET STAMPED, 30-28AWG, SIZE 20.

DWG NO: SS28W1XX

REV: B1

SH: 1

OF: 1