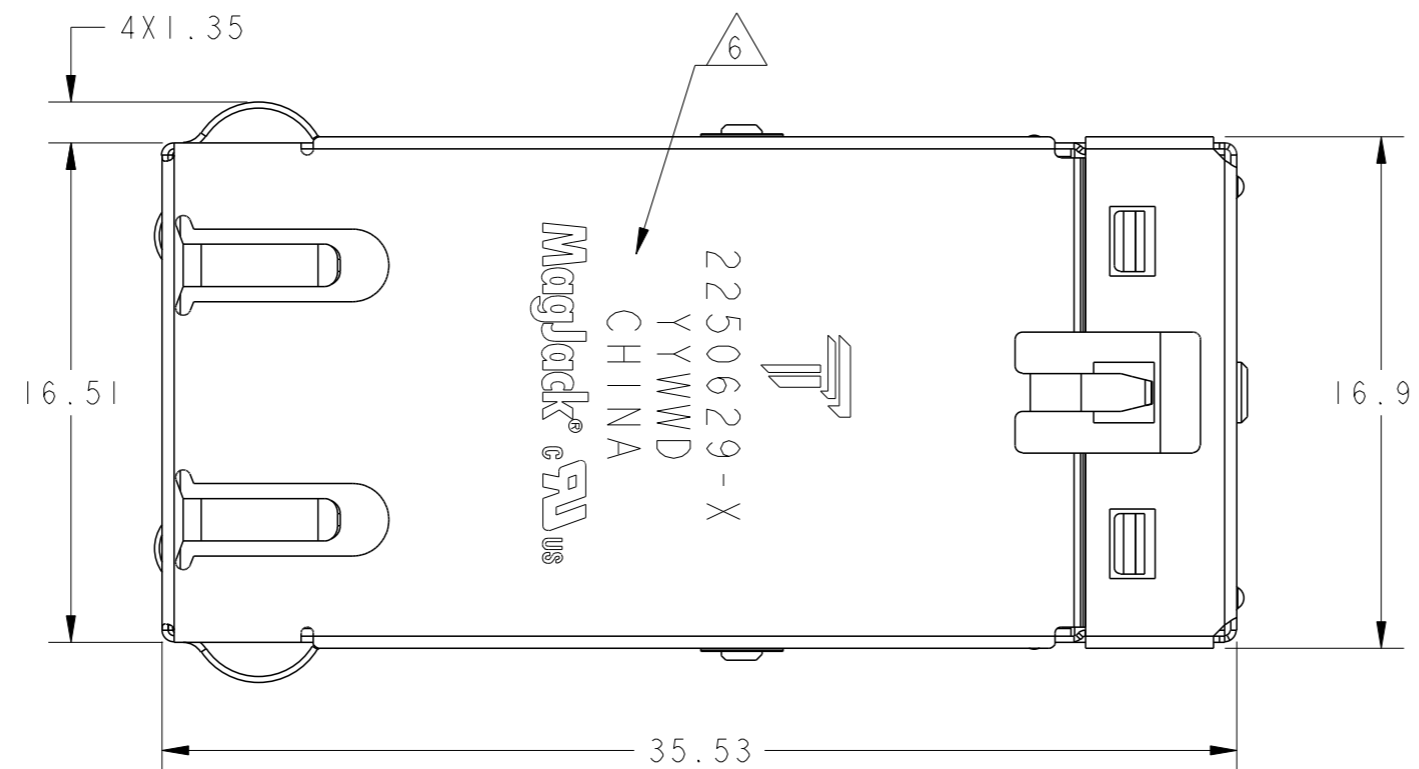
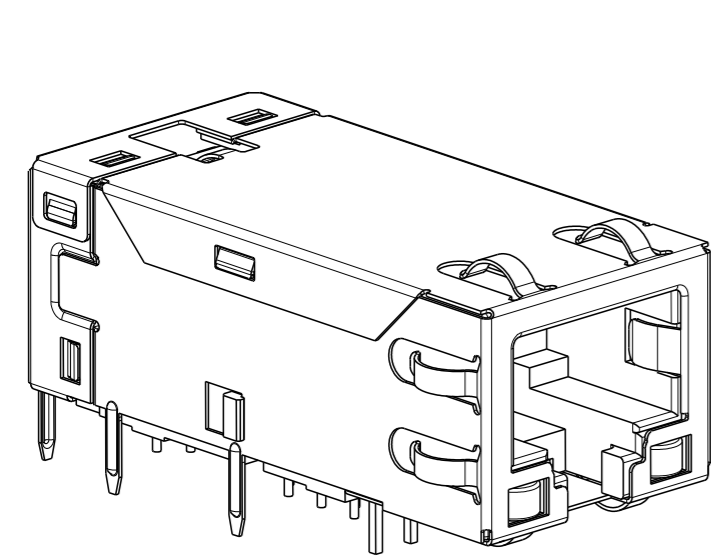


THIS DRAWING AND THE SUBJECT MATTER SHOWN THEREON ARE CONFIDENTIAL AND THE PROPERTY OF BEL/STEWART/TRP CONNECTOR AND SHALL NOT BE REPRODUCED, COPIED, OR USED IN ANY MANNER WITHOUT THE WRITTEN CONSENT OF TRP CONNECTOR.

PRODUCT MAY BE PROTECTED BY ONE OR MORE OF THE FOLLOWING US PATENTS:  
 5736910 5939955 6425781 6428361 6554638 6840817 7123117  
 7429195 7717749 7808751 6217391 6149050 7924130

REVISIONS				
P	LTR	DESCRIPTION	DATE	APVD
2		SEE LAST SHEET	26APR2019	JY TY



1. MATERIALS:  
 - HOUSING: THERMOPLASTIC, FLAMMABILITY, RATING UL 94V-0  
 - SHIELD: 0.20mm THICK COPPER BASE ALLOY PREPLATED WITH 0.76um MIN SEMI-BRIGHT NICKEL, OR 0.20mm THICK STAINLESS STEEL  
 - MOD JACK CONTACTS: 0.3mm THICK, PHOSPHOR BRONZE, 1.27um MIN OVERALL NICKEL UNDERPLATE, WITH 1.27um MIN LOCALIZED GOLD PLATE AT CONTACT INTERFACE

2. MAGNETICS:  
 - APPLICATION: 1G/10G BASE-T, 4PPoE  
 - IMPEDANCE: 100 OHMS  
 - TURNS RATIO (CHIP:CABLE): 1:1 ALL FOUR PAIRS  
 - OPEN CIRCUIT INDUCTANCE (OCL): 160uH MIN @ 100kHz, 0.1VRMS, ALL FOUR PAIRS, 120uH MIN @ 100kHz, 0.1VRMS, 23mA DC BIAS, ALL FOUR PAIRS  
 - ALL FOUR PAIRS BI-DIRECTIONAL  
 - PoE CURRENT: 1.2A DC MAX  
 - PERFORMANCE @ 25°C (WHERE f IS FREQUENCY IN MHZ):  
 IL (MIN)  
 1 MHz - 200 MHz -0.8 dB  
 200 MHz - 400 MHz -1.4 dB  
 RL (MAX) @ 100 OHMS  
 1 MHz - 100 MHz -20 dB  
 100 MHz - 400 MHz -20 + 8log(f/100MHz)dB  
 400 MHz - 600MHz -15 + 30log(f/400MHz)dB  
 CM TO CM REJ (MAX)  
 1MHz - 500MHz -25 dB  
 CM TO DM REJ (MAX)  
 1MHz - 500MHz -25 dB  
 - ISOLATION VOLTAGE: 2250VDC FOR 60 SECONDS WITH A RISE TIME OF 500V/SEC.  
 3. OPERATING TEMPERATURE: FROM -40°C TO 100°C

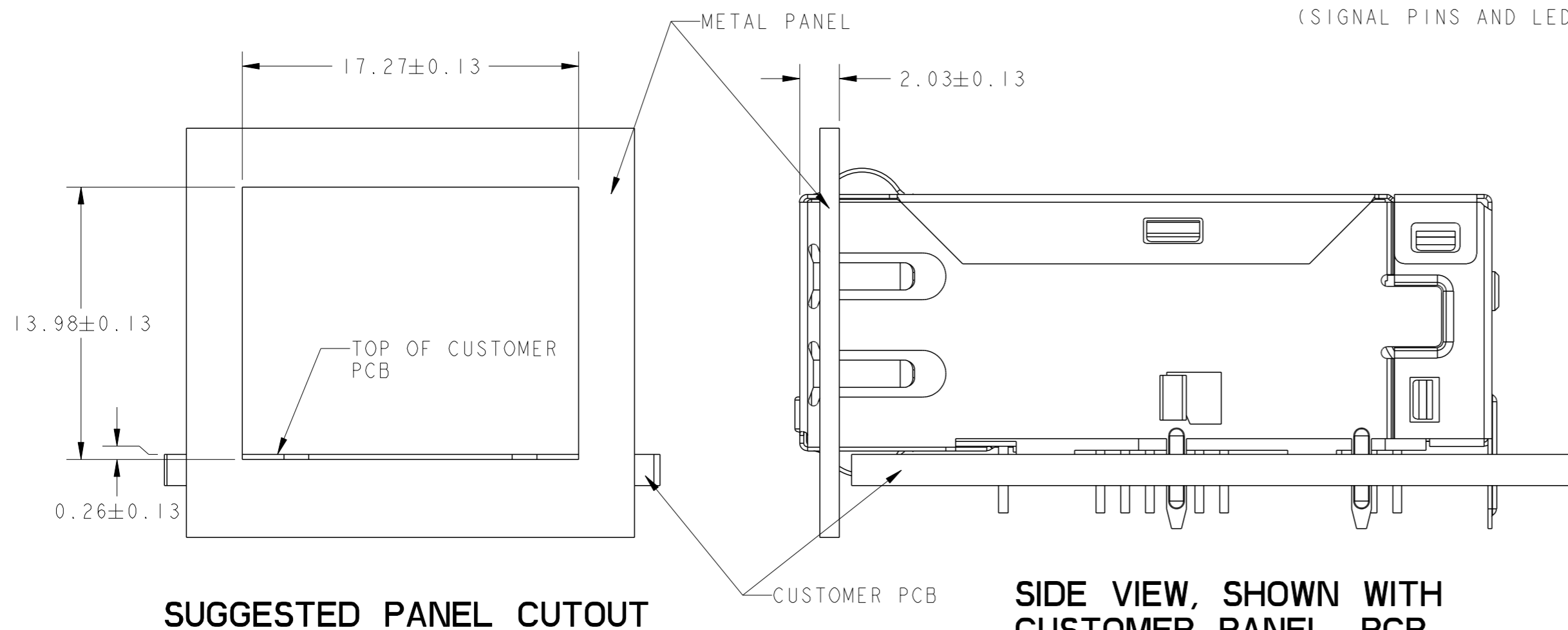
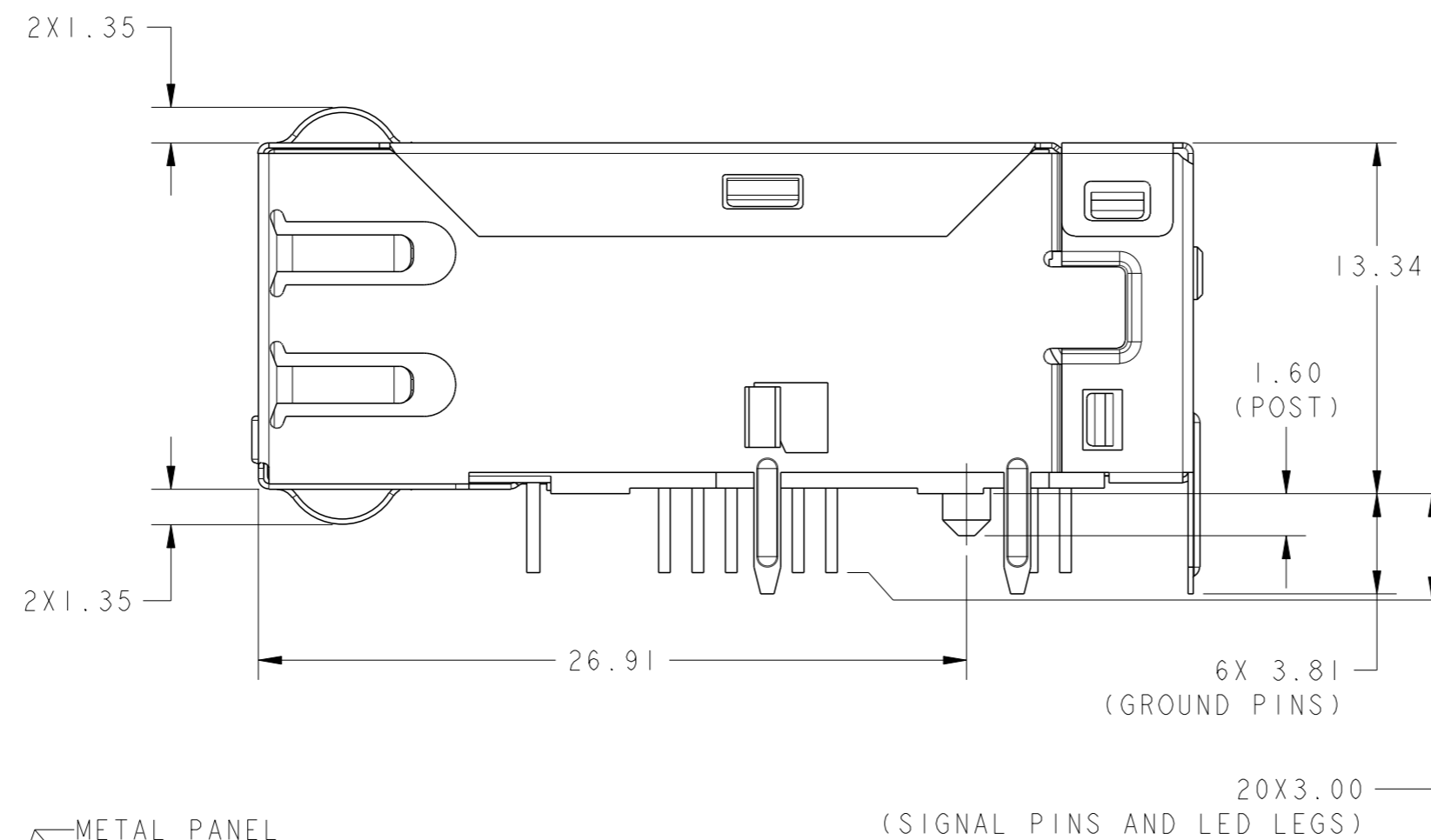
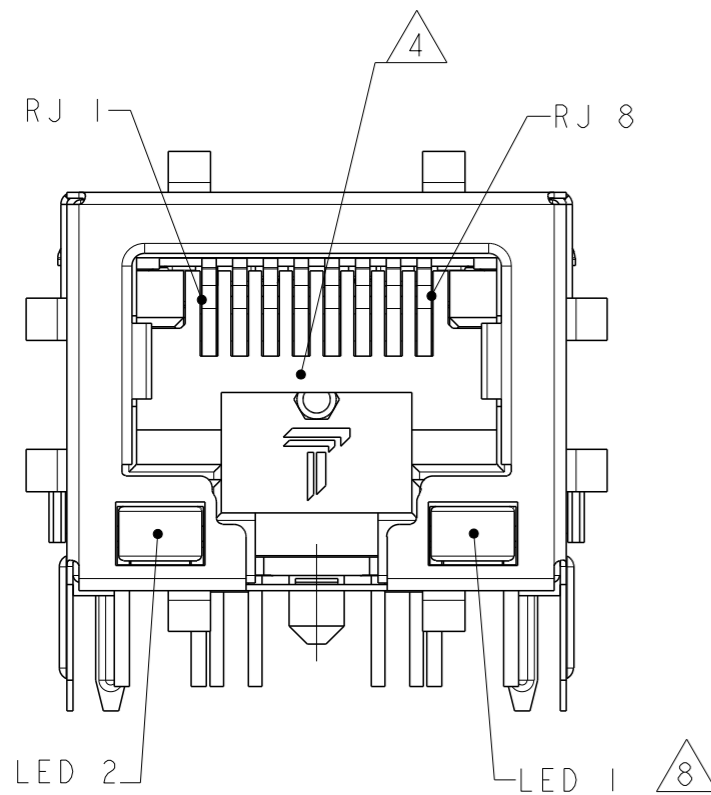
4. RJ45 JACK CAVITY CONFORMS TO FCC RULES AND REGULATIONS PART 68. SUB-PART F.  
 5. ALL DIMENSIONS ARE NOMINAL UNLESS OTHERWISE NOTED.

6. TRP CONNECTOR LOGO, PART NUMBER, DATE CODE, COUNTRY OF ORIGIN, AND AGENCY APPROVAL MARKING IN APPROXIMATE LOCATION SHOWN, DATE CODE: YYWWD WHERE YY IS YEAR, WW IS WORK WEEK, D IS DAY OF WEEK, WITH SUNDAY=1.

7. DATUM Y AND BASIC DIMENSION ESTABLISH BY CUSTOMER.

8. LEDs ARE DRIVEN WITH CONSTANT CURRENT AT APPROX 20mA  
 LED COLOR: DOMINANT WAVELENGTH (λD): GREEN 568 nm TYP. @ IF=20mA  
 FORWARD VOLTAGE (VF): GREEN 2.2V TYP. @ IF=20mA  
 DOMINANT WAVELENGTH (λD): ORANGE 605 nm TYP. @ IF=20mA  
 FORWARD VOLTAGE (VF): ORANGE 2.1V TYP. @ IF=20mA

9. PART SHOULD BE RECOMMENDED FOR WAVE SOLDERING PROCESS, PEAK WAVE SOLDERING TEMPERATURE IS 260°C, 10 SECOND MAX.



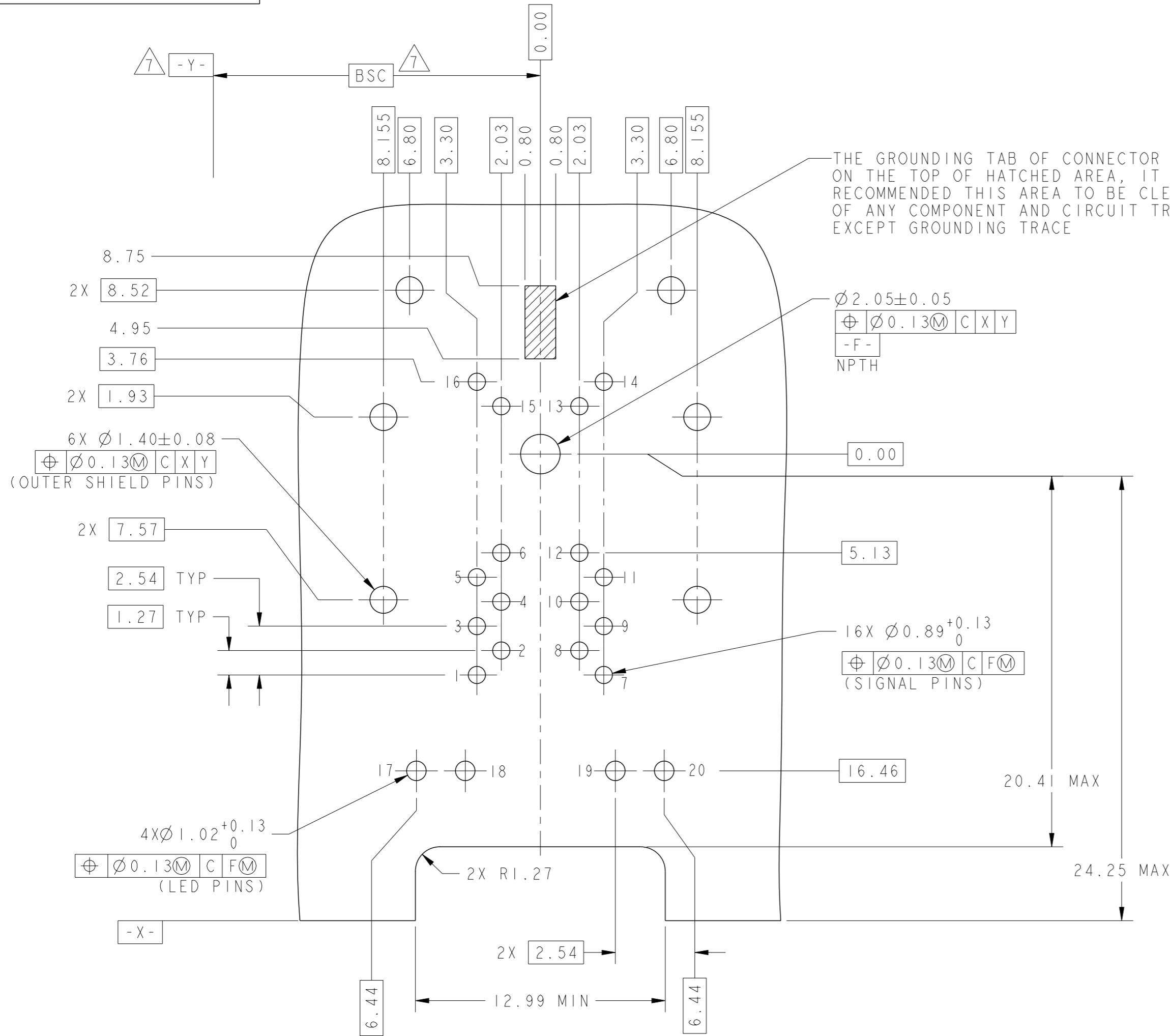
SUGGESTED PANEL CUTOUT

SIDE VIEW, SHOWN WITH CUSTOMER PANEL, PCB

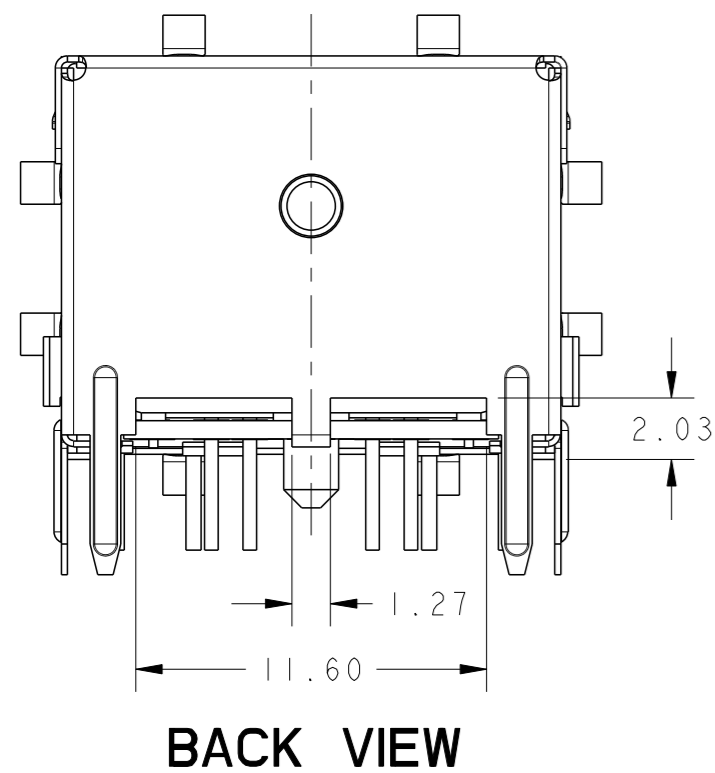
THIS DRAWING IS A CONTROLLED DOCUMENT, AND COMPLIANT TO ASME Y14.5M	
DIMENSIONS: mm	TOLERANCES UNLESS OTHERWISE SPECIFIED:
0 PLC ±0.25	1 PLC ±0.25
2 PLC ±0.25	3 PLC ±0.25
4 PLC ±0.25	ANGLES ±
PRODUCT SPEC 108-104004	APPLICATION SPEC -

DWN JARRY YE / XENIA WANG	18APR2019
CHK TOWER YU/ BILL LIU	18APR2019
APVD TONY YUAN	18APR2019
MODEL NAME	
MAGJACK SINGLE 4PPoE	
CUSTOMER DRAWING	

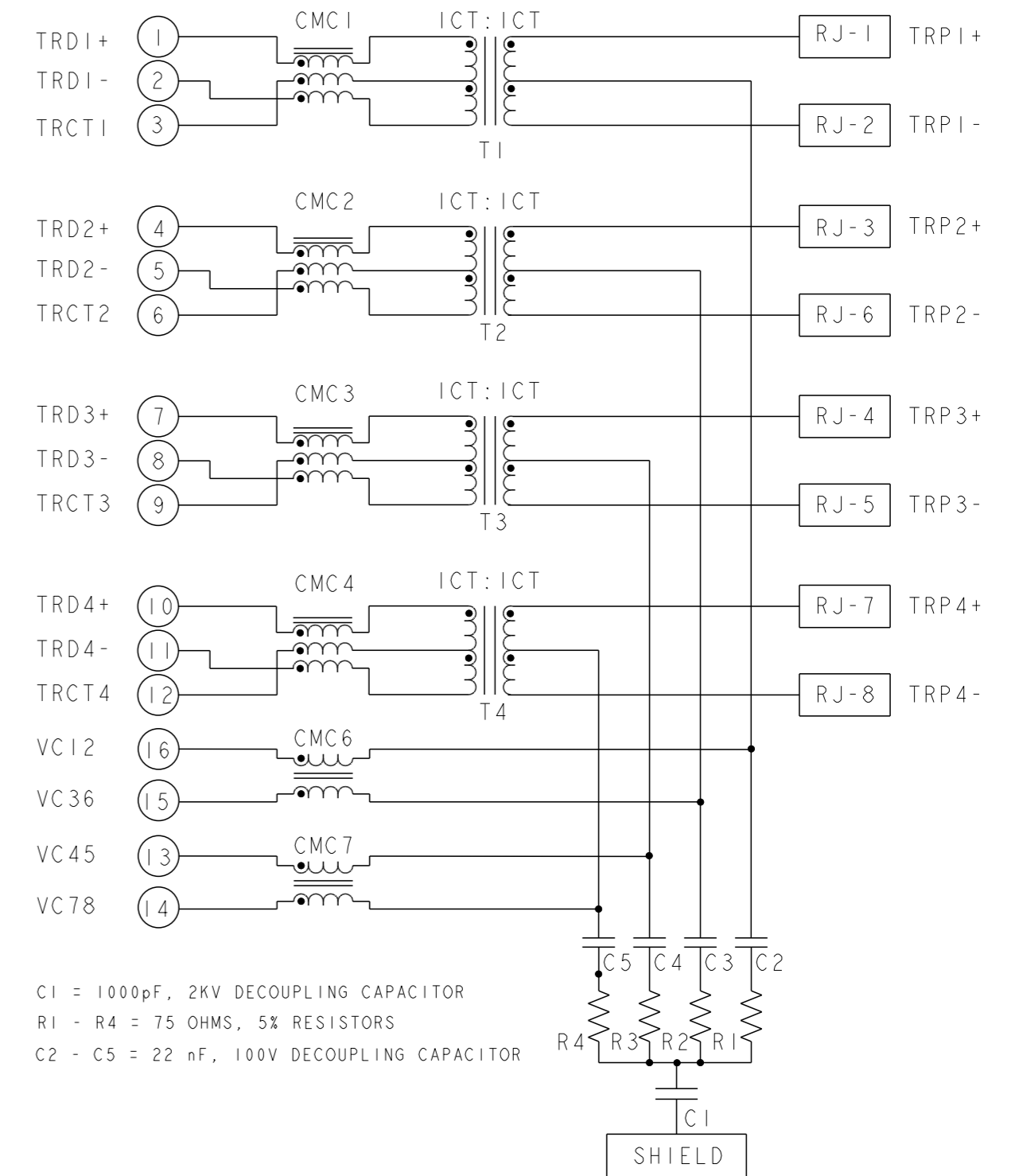
ORANGE 20-19	GREEN 19-20	ORANGE 18-17	GREEN 17-18	2250629-1
LED 1		LED 2		PART NUMBER
DONGGUAN CHINA				
DESC IX1 4UTG02LET 10G 4PPoE TAB DOWN				
SIZE A2	CAGE CODE	DRAWING NO G-2250629	RESTRICTED TO -	
SCALE NTS			SHEET 1 OF 3	REV 2



RECOMMENDED PC BOARD LAYOUT  
(VIEWED FROM COMPONENT SIDE)


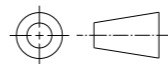


4UTG02LET 10 GIGABIT 120W 4PPOE CIRCUIT



THIS DRAWING IS A CONTROLLED DOCUMENT, AND COMPLIANT TO ASME Y14.5M		DWN: 18APR2019 JARRY YE / XENIA WANG	 DONGGUAN CHINA
DIMENSIONS: mm		CHK: 18APR2019 TOWER YU/ BILL LIU	
TOLERANCES UNLESS OTHERWISE SPECIFIED:		APVD: 18APR2019 TONY YUAN	DESC: 1X1 4UTG02LET 10G 4PPOE TAB DOWN
0 PLC ±0.25 1 PLC ±0.25 2 PLC ±0.25 3 PLC ±0.25 4 PLC ±0.25		MODEL NAME: MAGJACK SINGLE 4PPOE	SIZE: A2
ANGLES ± APPLICATION SPEC		PRODUCT SPEC: 108-104004	CAGE CODE: C-2250629
		CUSTOMER DRAWING	
		SCALE: NTS	SHEET 2 OF 3
		REV 2	

2250629						STOCK DISPOSITION			
--						A:CONTINUE AS IS B:REWORK C:SCRAP		D:USE OLD FIRST E:PARTS TO CONFORM F:OTHER	
REVISION HISTORY									
DATE	REV	CHANGE	REASON	APPROVAL	INVENTORY (A,B,C,D,E,F)	WORK IN PROCESS (A,B,C,D)	SUPPLIER ORDERS (A,E,F)	OPEN CUST ORDERS (A,E,F)	
18APR2019	1	-	INITIAL RELEASE	TONY YUAN	-	-	-	-	
26APR2019	2	CHANGE PERFORMANCE REQUIREMENT	CUSTOMER REQUEST	TONY YUAN	-	-	-	-	

THIS DRAWING IS A CONTROLLED DOCUMENT. AND COMPLIANT TO ASME Y14.5M		DWN 18APR2019 JARRY YE / XENIA WANG	 <b>trp</b> CONNECTOR a bel group	DONGGUAN CHINA		
DIMENSIONS: mm		CHK 18APR2019 TOWER YU/ BILL LIU		DESC IX1 4UTG02LET 10G 4PP0E TAB DOWN		
		APVD 18APR2019 TONY YUAN		SIZE A2	CAGE CODE C-2250629	RESTRICTED TO -
TOLERANCES UNLESS OTHERWISE SPECIFIED: 0 PLC ±0.25 1 PLC ±0.25 2 PLC ±0.25 3 PLC ±0.25 4 PLC ±0.25 ANGLES ±° APPLICATION SPEC		MODEL NAME MAGJACK SINGLE 4PP0E	SCALE NTS	SHEET 3 OF 3	REV 2	
PRODUCT SPEC 108-104004		CUSTOMER DRAWING				