

1

2

3

4

5

6

7

A

B

C

D

E

F

G

H

A

B

C

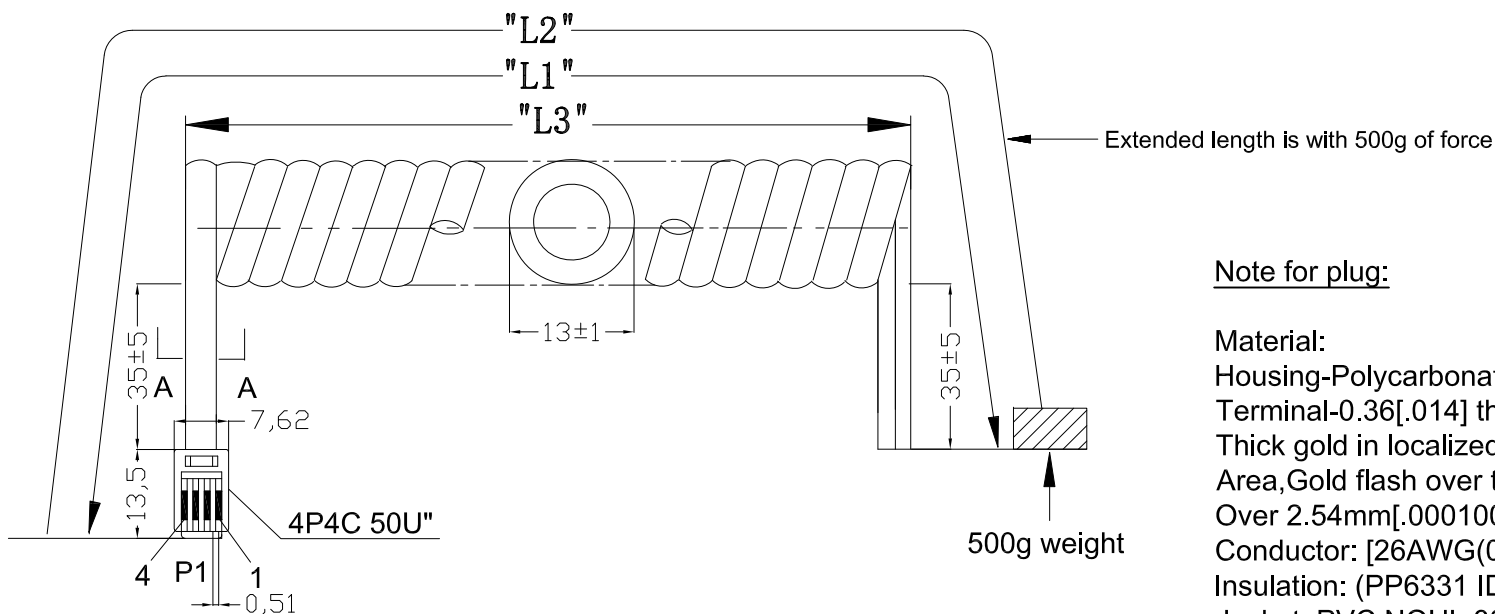
D

E

F

G

H



Extended length is with 500g of force

Note for plug:**Material:**

Housing-Polycarbonate,clear.

Terminal-0.36[.014] thick phosphor bronze.

Thick gold in localized gold plate.

Area,Gold flash over the remainder.

Over 2.54mm[.000100] thick nickel underplate.

Conductor: [26AWG(0.12x12) BARE COPPER]x4C.

Insulation: (PP6331 ID:0.95-1.0)x4C.

Jacket: PVC NOUL 80P.

Package: Individual PE Bag.

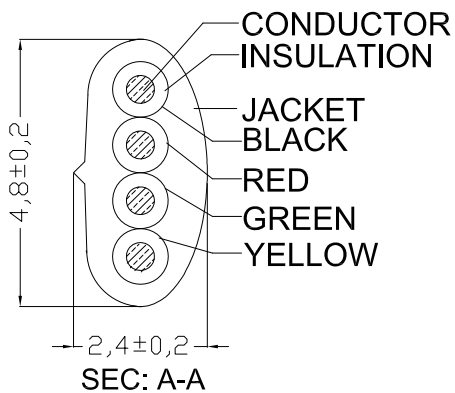
TERMINATION:

P1	COLOR
1	BLACK
2	RED
3	GREEN
4	YELLOW

Order code: AT-C-26-4/4/x-xx-OE

Order color:
B: Black
W: White
S: Silver

Length Code	Retracted Length(L3)	Extended Length(L2)	Cut Length(L1)
5	330±30	5.0FT-5.75FT	2300-2400
7	470±30	7.0FT-8.05FT	3000-3200
10	630±50	10.0FT-11.5FT	4300-4500
12	800±50	12.0FT-13.8FT	5200-5400
14	850±50	14.0FT-16.1FT	5800-6000
25	1900±50	25.0FT-28.75FT	10800-11000

**RoHS compliant**

Unit: mm

Scale	Free					Date	Name	Customer-No.
TOLERANCE					Drawn	25.06.2019	Segal	
.x	±0.50				Approved	25.06.2019	Segal	ASSMANN WSW-No.
.xx	±0.20							AT-C-26-4/4/x-xx-OE
DIM	TOL							Drawing-No.
								ASS 8564 CA
		©	Drawn	25.06.2019	Segal			rev00
Angle	±2°	Id.	Modification	Date	Name			Replace

1

2

3

4

5

6

7